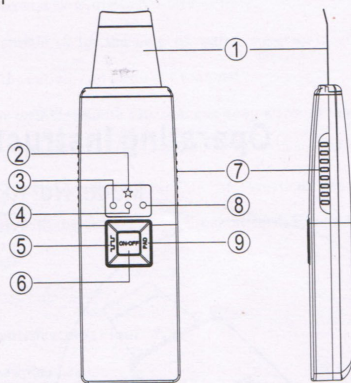
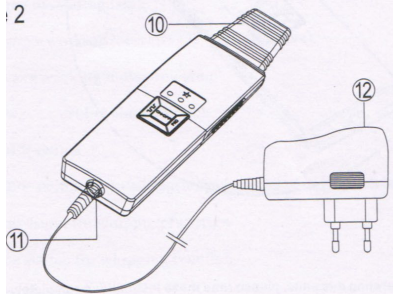


1



2



**Safety Instructions**

Please read the safe instruction before using this product. The safety instruction explained here are to help you use this product safety and correctly, and also to prevent you from injuring yourself or others. The safety instructions shown here are classified as follows.

**Warning:** Indicates a hazard, which if not avoided, may lead to death or serious injury.

**Caution:** Indicates a hazard, which if not avoided, may lead to death or serious injury.

**WARNING**

1. Pull out the plug of the product when out in use. Always grasp the plug while unplugging and never unplug by pulling the cord. Failure to do so may lead to fire or accident.
2. Do not cut, damage, or modify the cord. Do not pull, twist, or the cord with unnecessary force. Do not wind the cord around the product. They may cause fire and /or electric shock. If the cord is damaged or gets heated up, discontinue use immediately.
3. Discontinue use immediately if the cord or plug is damaged or

becomes hot. It may cause fire, electric shock, short circuit, and/or burns.

4. Do not use the unit near inflammable materials such as benzene, paint thinner, sprays, etc. It may cause an explosion or fire.
5. Do not use the product while your hands are wet , handle it with dry hands only. It may cause electric shock, and/or short circuit.
6. Do not place or shore product near place where it is exposed to water such as bathtubs, washbasins, or other vessels, and areas with high humidity. It may cause electric shock and/or fire as a result of a deteriorating insulation. Do not submerge the product in water. It may cause electric shock, and/or short circuit.
7. Keep the unit away from children. Do not let them use of play with the unit. Allowing children to play with the unit may result in burns, electric shock or other injuries.

**Repairing the Unit**

1. Do not attempt to repair, disassemble, or modify the unit by yourself. You may injury yourself as a result of fire, or abnormal operation.
2. The supply cord of this appliance can not be replaced; if the cord is damaged, the appliance should be discarded

**Caution**

1. Do not use the unit for purposes other than the intended purpose and avoid using the unit on an infant. It may result in injury or accidents.
2. Do not use the product if you have damaged it by dropping or knocking it. This may cause electric shock and/or fire.
3. Do not use thinner, benzene, or any other solvents to clean the unit as it may damage the unit.
4. Do not use the product where the temperature id below 0 degrees Celsius or above 40 degrees Celsius, or when exposed to direct sunlight, heat or too much moisture.
5. Use only a supplied charge matched to the region of use
6. Dry the appliance completely before setting it in the charger
7. Do not use an extension cord to connect the charging adaptor to an electrical outlet.

**Function for supersonic vibration**

1. Remove the acne without pain: Cream the acne in the wool pore with water in a moment by supersonic vibration, and discharge in a moment.
2. Clean the smallpox: Supersonic vibration atomize the pure water

cream and discharge dirt, cosmetics etc. It can be improve the smallpox and skin problem in a short time.

3. Clean cuticle: With the help of water, supersonic vibration can cream the cuticle and clean in a moment.
4. Remove wrinkle: Sonic function can keep warm of the skin cell to remove wrinkle
5. Remove melanin of the skin: Control Tyrosinase, decompose the melanin with the voltage, the melanin will be conducted out of skin cell

**Parts Identification (Figure 1. 2)**

- ① Skin scrubber head
- ② Working indicating lamp
- ③ Half-wave working indicating lamp(Half-wave)
- ④ Full wave working indicating lamp
- ⑤ Half-wave working choice switch
- ⑥ NO/OFF switch
- ⑦ NO/OFF switch for touching(it can be worked only touch two side)
- ⑧ Display Light for whipping function
- ⑨ Choice switch for whipping function
- ⑩ Protective cover

⑪ Power source connection

⑫ Power source adaptor