

Hot&Cool Beauty Instrument

Manual



Relieve fatigue

Diastolic&shrink pores

Lifting&tightening

wrinkle& skin whitening

Apply to Face, eye, neck ; Easy to carry, suitable for home and travel use

I INTRODUCTION

1 Acoustic vibrations beauty principle

Each person's face has at least three million pores, while cleansing liquid and hands only clean skin surface, it is difficult to remove the oil pores, Only clean out the pores of the oil residue, can the skin recover from the deep clean. Lessons learned 46 years specializes in skin care experience, the whole development process guided by skin specialists, combined with our advanced engineers to sonic micro-vibration technology, fitting face of intelligent design, no dead comprehensive clean your skin.8600 times per minute, high-frequency vibration, Vibrate out of deep pores oil and deep clean every pore. Pores lightweight transparent, delicate skin smooth, once again change the skin more through cleanliness.

2 Hot and cold Beauty Principle

A japan professor at the university shows that when skin reaches 42 °C temperature helps to produce HSP proteins,repair skin cells and strengthen the skin elasticity, and prevent the formation of wrinkles. The ice hot beauty bar, hot 42 °C nursing can help expand the pores,make deep cleaning convenient. While frozen nursing can instantly receive fine skin pores, lock the moisture of the skin in deep skin, let you continue warm and frozen care. People Pay attention to the beauty is very interested in 42°C ice hot alternate beauty. This 42 °C ice hot beauty bar, the temperature range 6°Cto 42°C. The feeling of warm processing and ice processing can continue. Beauty muscle magic to make the skin become smooth and full of elasticity. 6 °C and 42 °C ice hot alternate restore skin firmness and elasticity. Ice hot alternate care muscle can promote skin for rapid expansion and contraction movement, the beauty of this mild muscle movement, helps to stimulate the skin's blood circulation, speed up the metabolism of skin; In addition to effective repel black rim of the eye and simple eye wrinkles. More greatly increase skin transparency, even without makeup, the skin also has crystal shine. By acoustic vibration to promote compact soothing effect.

Ice sense effect:

1. Help skin firmness, maintain flexibility, prevent allergies and other problems;
2. Shrink pores, lock moisture and reduce wrinkles;
3. Can soothe sore muscles, relieve skin fatigue, soothe the skin sense of tension, reduce skin redness, pain, Resistance to repeated growth of acne.

Warm effect:

1. Warming, makes people feel warm and comfortable, helps to relax muscles, relieve pain;
2. Stimulate the blood circulation acceleration, so the pores open,Can help the skin to quickly import all kinds of skin care products absorb double skin. Make the skin more elastic and moist;
3. Putting a sponge to deep cleaning, better able to export the face toxins, blackheads,dirt.

II NAME OF PARTS

① Hot and cold panel

② LCD Display

③ Charging jack

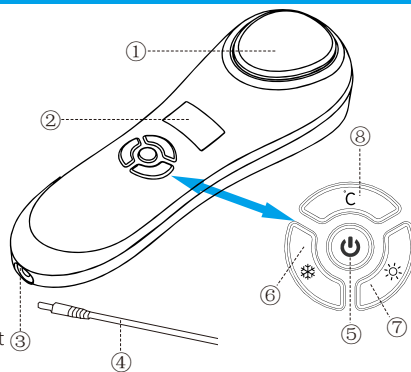
④ USB charging cable

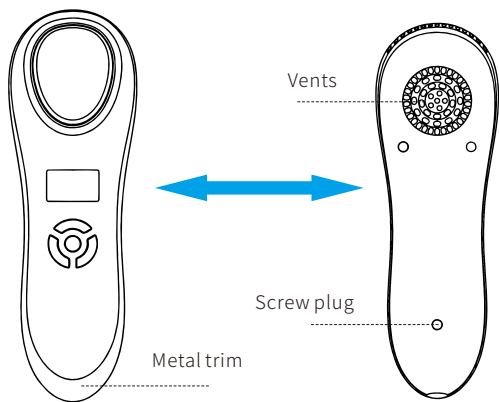
⑤ Power switch

⑥ Refrigeration&vibration

⑦ Heating&vibration

⑧ Temperature adjustment





III OPERATING INSTRUCTIONS

1. for the first time, you need to plug the USB charging cable to the charging jack (3), and the other end connected to an external power supply, LCD display (2) bright red flashing prompt charging, charging is normal. After charging saturation, LCD display (2) bright blue, charging stops blinking prompt, each charge time is about three hours. (See Figure 1)
2. please pay attention to clean the skin before use.
3. Pick up a host charged, press switch button for 3 seconds LCD display (2) bright red, the host state to enter the default heating, hot and cold beauty metal head (1) temperature rises, then press the system again hot buttons (1) and the host will also start beauty vibration function.

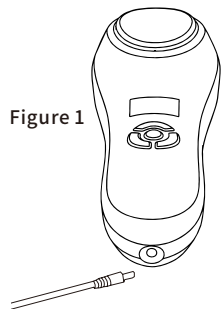


Figure 1

Press the temperature adjustment button (8), you can adjust the temperature level.
 1st Press the temperature adjustment button (8), temperature prompt skip 2nd gear.
 2nd press temperature control button (8), temperature prompt skip 3 files.
 3rd press temperature control button (8), temperature prompt skip 4 files.
 4th press temperature control button (8), temperature jump to 5 files prompt.
 5th press temperature control button (8), temperature prompt jump back a gear.
 4. Press cooling button (6), LCD display (2) bright blue, the host into the cooling state, the metal cold beauty head (1) temperature drop, temperature control and vibration function with step 3.

5. Using the steps shown below:

°C Heating and acoustic vibration state
Hot Sonic

1 Promote the absorption of the skin feeling moist

After cleansing, face painted as a lotion, essence, turn on the heating / vibration model, can promote the absorption of skin care products doubled.



°C Refrigeration and sonic vibration state
Cool Sonic

2 Double thin skin firming skin care

After absorption of skin care products, open cooling / acoustic vibration model, can shrink pores, firm skin, and effective skin care.



Beauty Tips

Recommend Using hot and cold alternating massage after skin care

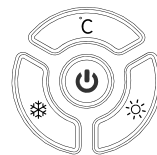
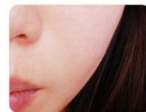


Figure 2

IV PARAMETER AND PACKING INFORMATION

Name : Hot&Cool Beauty Instrument	Power: MAX 3.6W
Model : 7901	Battery capacity: 850mAh
Input : DC 5V 500mA	Standby time: 40 days
Temperature : 6-42°C(±3°C)	Weight : 120g
Vibration : 8600(±10)rpm	Use time: 5 Mins / time
Charging time : 3 hours	Host size: 155×51×44mm
Charging power : 2.5 W	Box Size: 215×150×90mm

V SAFETY INSTRUCTIONS

1. Read all safety instructions before using and use correctly.
2. Follow the operating instructions to use this device.
3. Do not pull down or remake the device, please consult the distributor for repairing.
4. Only use the device for its intended purpose as described in this manual.
5. Do not store or use the device in the high temperature and humidity place such as under sunshine or near fire or in the bathroom, etc. To avoid fire or electric shock, Do not use or place it in or near the high temperature appliance.
6. Do not use and place the device in the humid condition, in case of any short circuit, electrical shock or fire.
7. Keep away from children and physical disabled people allow to use, close supervision is necessary when this device is operated by user under 18years of age.
8. Keep out of reach of the children.

WARNING

1. To avoid malfunction or fire, please stop use in case of unusual hot.
2. Please do not drop or clash the device.
3. Please apply serum constantly during use.
4. Please do not use it if the power cord is damaged.
5. Below conditions are not allow to use.
Heart disease, fever, communicable disease, cancer, open cuts, acute disease, Hypotension, hypertension, install pacemaker, artificial heart or lung, during medical treatment, skin disease, sunburned, over sensitive people, anapetia.