

BE-VS600C

Digital Breast Beauty Equipment **INSTRUCTION**



Dear customer,
Thanks for your choosing our product!
For the best capability and safety, please read the instruction before operation.
Please reserve the instruction book for the reference.

▪ **Working Principle**↵

This instrument is the most effective and direct breast building instrument, which develops under the basis principle of physiology and physical sucking theory. And its slight but concentrated effect could exercise the muscular tissue mostly (breast muscle develops----next to neural tissue----finally reach hypophysis) and stimulate hypophysis to excrete hormone, thus to exercise muscular tissue stretchy as well as fibre function, also enlarging breast naturally and effectively. It suits Eastern feminine physiology and proved by years of clinical confirmation that it does no harm to human body but does effect for breast beauty. ↵

▪ **Function**↵

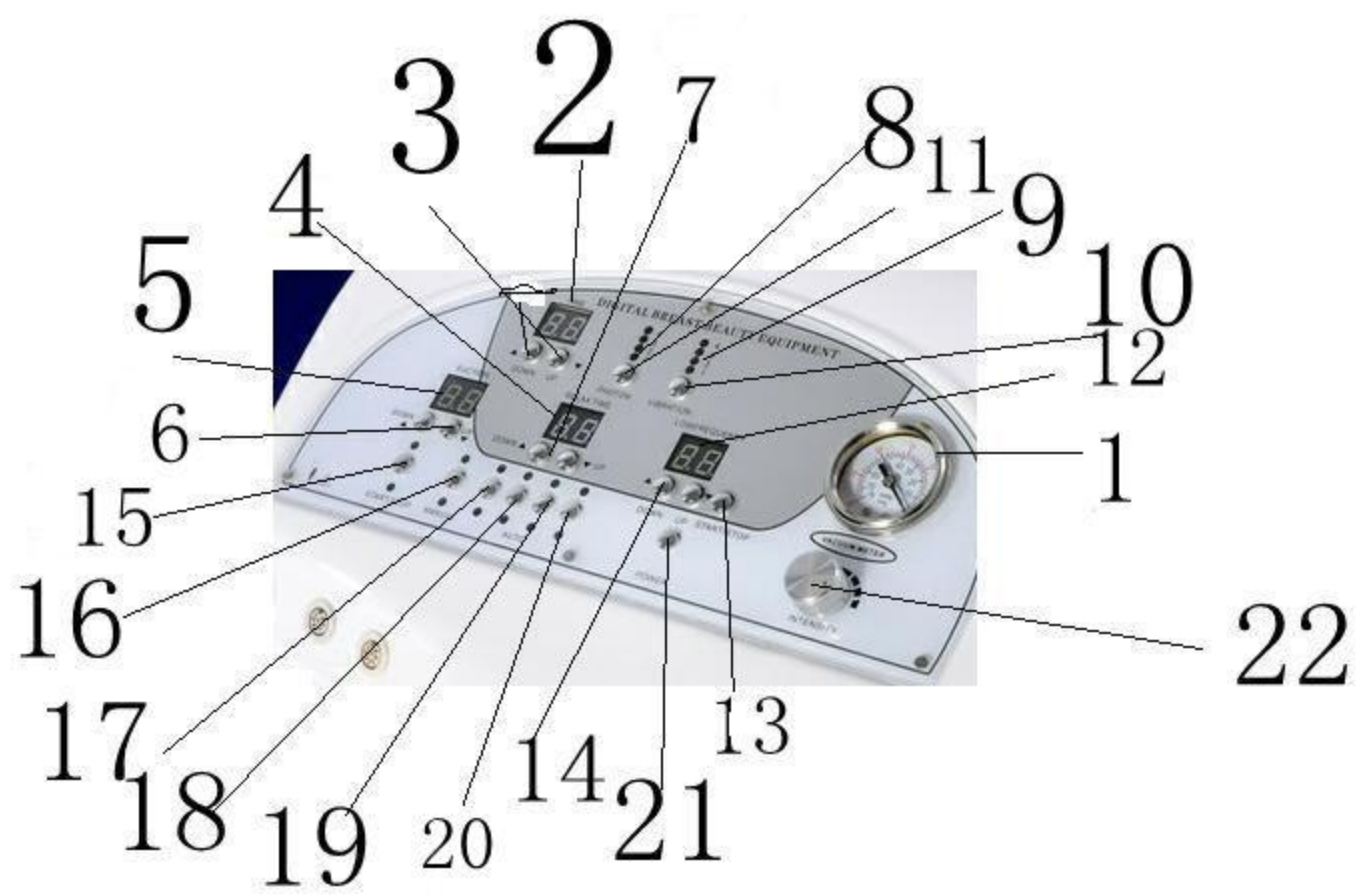
Breast care : Breast plumping & lifting, Correct nipple & chest, Recover breast elasticity.↵

Facial care : Face thinning, Remove nose blackhead, acne, eye circle, eye bag, blood marks, double chin, & Lifting canthus ↵

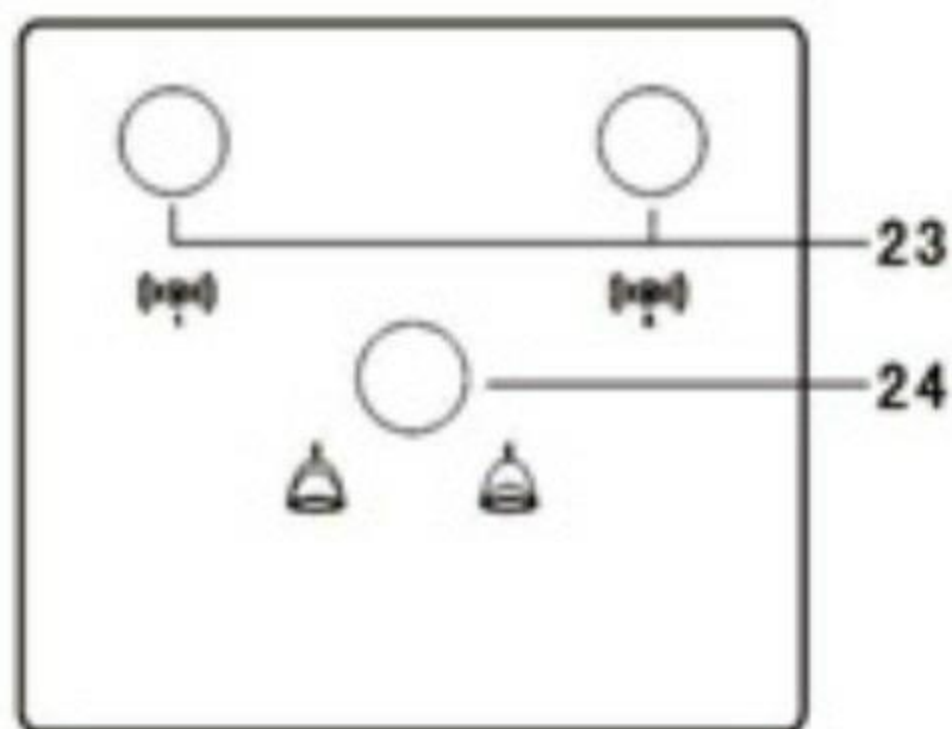
Back care : Negative pressure metabolism, Remove measles, Press cavity, Toxin excrete, Tighten skin, Improve skin elasticity, Lymphs toxin removal↵

Fatness care : Losing weight, Slimming, Tightening abdomens, Slimming waist↵

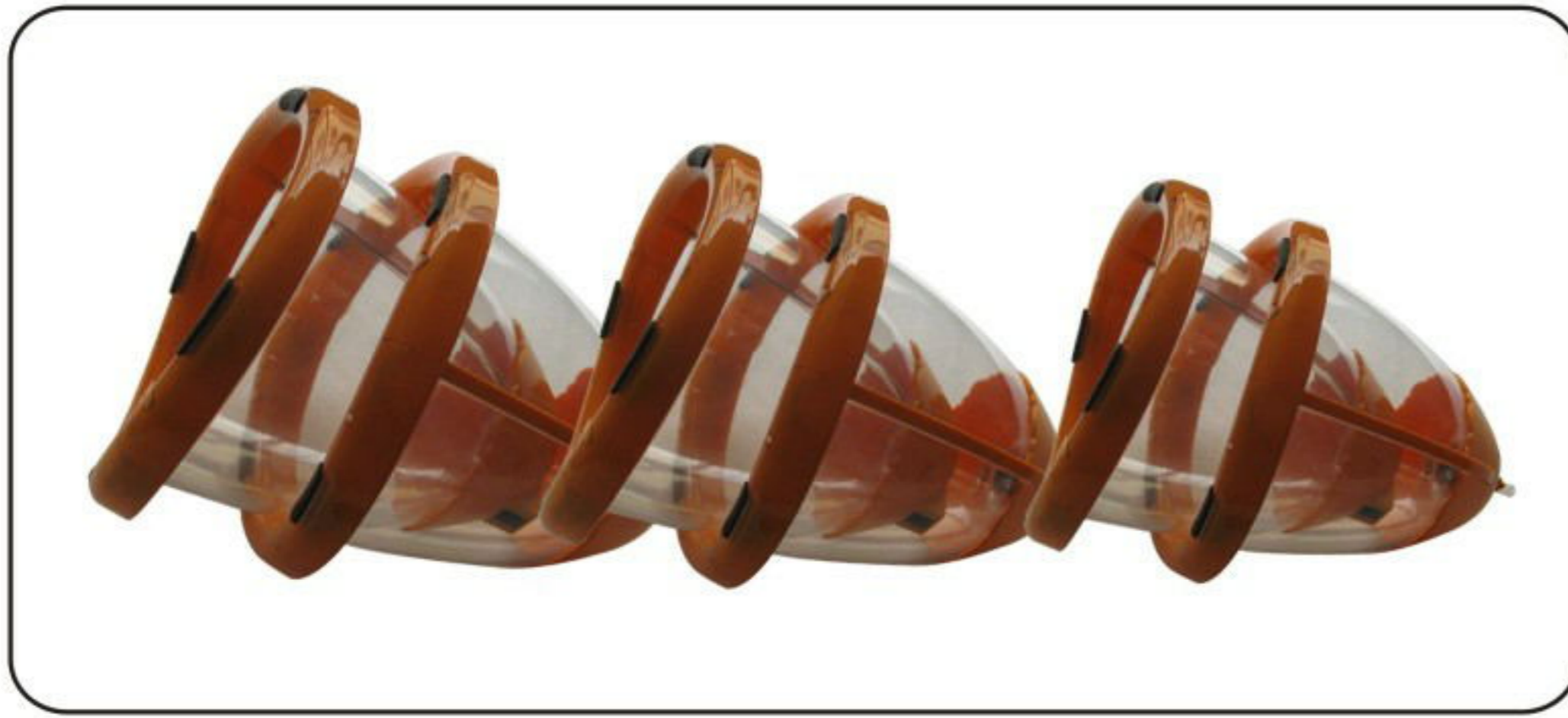
Control Panel



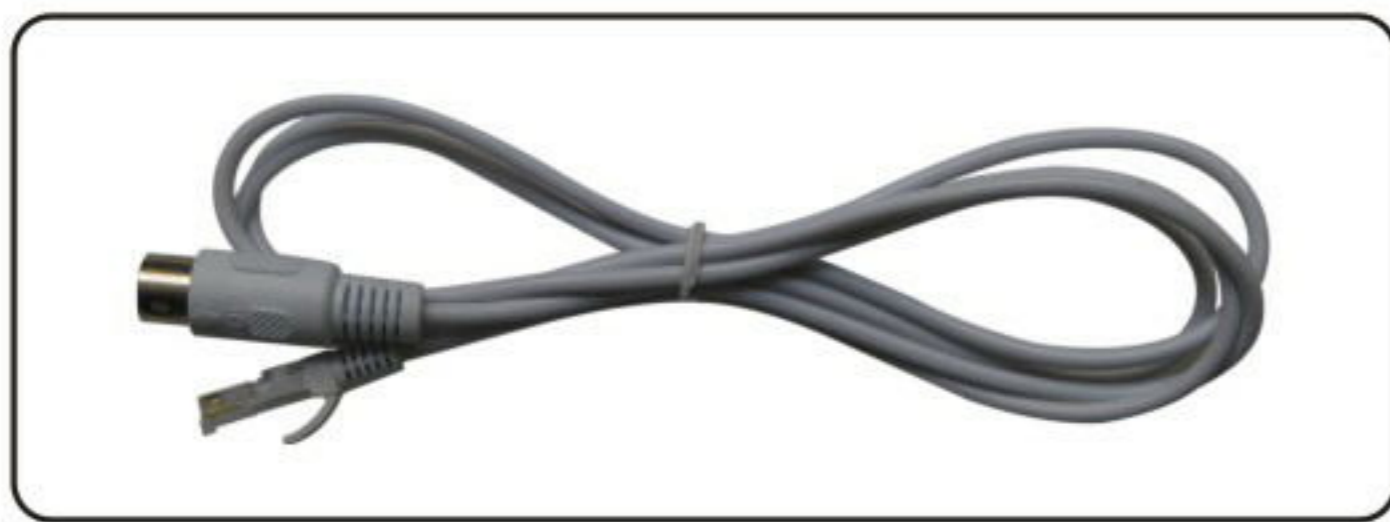
1. Suction Indicator
2. Working Time Display
3. Working Time Adjust (0 to 60 minutes)
4. Relax Time Display
5. Suction Time Display
6. Suction Time Adjust
7. Relax Time Adjust
8. Photon Mode Indicator
9. Vibration Mode Indicator
10. Vibration Mode Select
11. Photon Mode Select
12. Low Frequency Electricity Intensity Display
13. Start / Pause for Low Frequency Electricity
14. Low Frequency Electricity Intensity Adjust (from 1 to 9 level)
15. Start / Pause for Suction and Releasing
16. Manual Mode
17. Auto Mode A
18. Auto Mode B
19. Auto Mode C
20. Auto Mode D
21. Suction Intensity Adjust
22. Power



Accessory Introduction



A



B



C



D



E



F

A. Photon breast cup

B. Breast cup wire

C. Cupping glass

D. Vacuum glass

E. Triple-connection hose

F. Air glue pipe

Operation

1. Sterilize the spare parts.
2. Plug in the power supply and turn on the machine.
3. Press the Key of Start / Pause and the LCD Screen is on.
4. Press the Key of Start / Pause for Suction and Releasing
5. Press the Key of Suction Mode Select, there are five modes to select. Five lights refers to different modes, they can be adjusted by pressing the key according to clients' request.
6. If five lights are not on, in this condition, the mode can be adjusted by manual. The suction time and releasing time can be adjusted separately according to clients' request. The time adjust range is from 0 to 60 seconds.
7. Connect the air pipe and choose the suitable cup. Select the mode and intensity according to clients' request.
8. In the mode of Automatic condition, and adjust it to Suction all the time for vacuum. Vacuum is commonly used for remove acne and blackhead. While use the glass to remove the acne and blackhead, please put finger to hold the hole on it to control the sucking intensity.
9. While do the breast care treatment, the photon function can be done at the same time.
10. Select the vibrating cup to massage.
11. Press the Key of Low Frequency Electricity Mode Select. The micro electricity circulates in the cell to improve the breast regrowing. As there are 1 to 9 levels from low to high intensity, please try the lowest first and according to clients' request to adjust.
12. Please adjust the working time to control the exact time of treatment.
13. The whole treatment needs about 30 minutes. After finish, please sterilize the spare parts and put them away in the carton or cabinet.

Technology Parameter

Voltage □110V □220V □230V □240V

Frequency: 50Hz 60Hz

Power: 70W

Dimension: 69×44×27 CM

Accessories Packing List

Item Name	Unit	Quantity	Remarks
Mainframe	Set	1	
Vibrating Cup #1	Pc	2	
Photon Breast Cup	Set	1	
Breast Cup Wire	Pc	2	
Triple-Connection Hose	Pc	1	
Air glue pipe	Beg	1	
Cupping Glass	Set	2	
Vacuum Glass	Set	3	
Fuse	Pc	2	
Filter	Pc	1	
Power Wire	Strip	1	
Instruction	Set	1	

Important Safety Notice

1. Please don't disassemble the equipment or try to do some other operation, which have been indicated in our instruction. All the repairing work should be done by our admitted professional personnel
2. Please don't assemble or operate this equipment while you are near the water or your hands are wet. Notice that don't pour the liquid on it.
3. Please pull out the plug from the socket when you met such conditions as below. And keep in touch with professional maintenance Station.
 1. The equipment touched liquid
 2. The equipment has abnormal smell, smoking or loud and strong noise.
 3. Cable is broken
 4. The equipment is fallen down and broken
4. Please don't put anything on the cables, don't place the equipment at any place where someone can step on the cable.
5. Please pull out the power cable after using it for your safety
6. Don't put anything into the equipment's jack, otherwise it may cause fire or touch the electricity. If something enters the equipment, please don't pick it out by yourself, contract distributor or our company immediately
7. Please don't put the equipment on the anything that can't stand steadily avoid it turns over and damage.
8. Our company reserves the right to modify the information in this introduction before notify! And keep the explanations right for the above.